



Landmark

Facade Solutions Inc.



Landmark

Facade Solutions Inc.

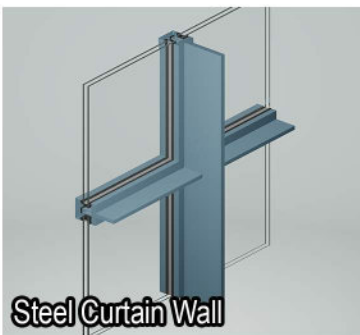
Landmark Facade Solutions Inc. is a full-service specialty glass & metal system manufacturer. We deliver engineered systems to the glazing trade & collaborate with architects to make complex designs a reality. We also offer fabrication services for specialty material to our client's specification.

Structural & Specialty Glass Solutions

- Structural Glass & Metal Fin Wall
- Vision Wall
- Cable Wall & Tension Rod
- Double Skin Curtain Wall
- Steel Framed Curtain Wall
- Glass Canopies, Ceilings, Skylights & Sloped Glazing
- Railings, Guardrails, Windscreens & Stairways
- Glass Floor & Walkable Skylights

Supply of Specialty Glass

- Jumbo Glass (Insulated, Low-E, Bent, Low-Iron, Laminated & Heat-Soaking Options)
- Silkscreen Frit, Printed Frit & Acid Etching
- Honeycomb Glass
- Laminated Mesh



2311 Wilson Blvd - Arlington, VA:

MTFA Architecture

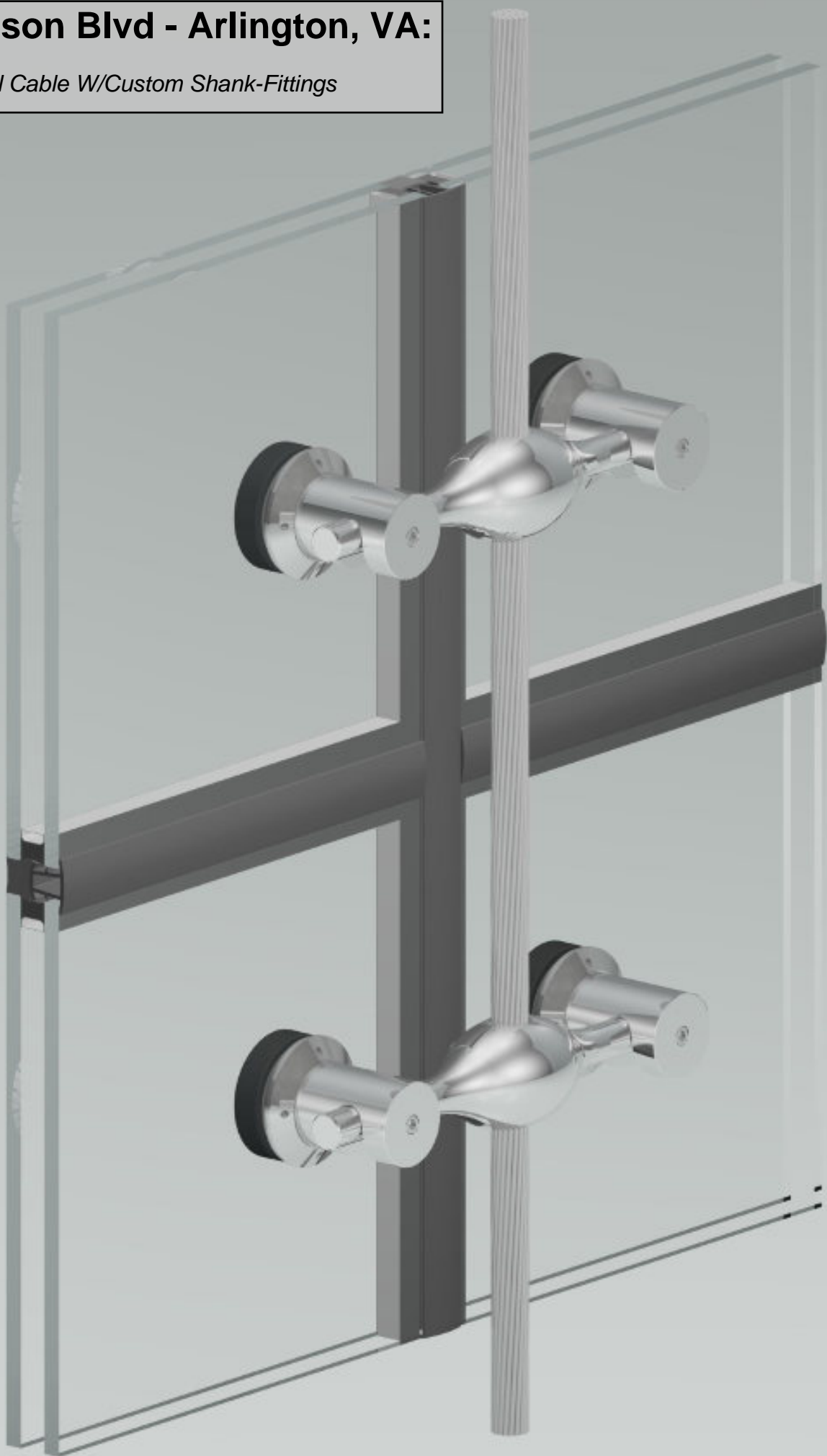
Client: Vetro Building Envelope



2311 Wilson Blvd - Arlington, VA:

3D Rendering

Single Vertical Cable W/Custom Shank-Fittings





3D Rendering:



Project Notes:

Face Glass: 3/8" + SGP + 3/8" + 5/8" Air + 3/8",
All Low-Iron & Heat Strengthened.

Largest IGU:
86" x 214"

Glass Fins:
1/2" + SGP + 1/2" + SGP + 1/2", All Low-Iron &
Heat Strengthened.



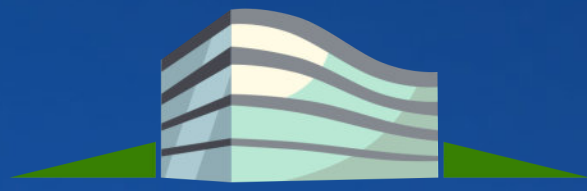
Case Study - Structural Glass Wall with Shank-Style Fittings



Levine Cancer Institute - Charlotte, NC:

Little Diversified Architectural Consulting

Client: Holston Glass Co.



Landmark
Facade Solutions Inc.



Levine Cancer Institute - Charlotte, NC:
Little Diversified Architectural Consulting
Exterior View



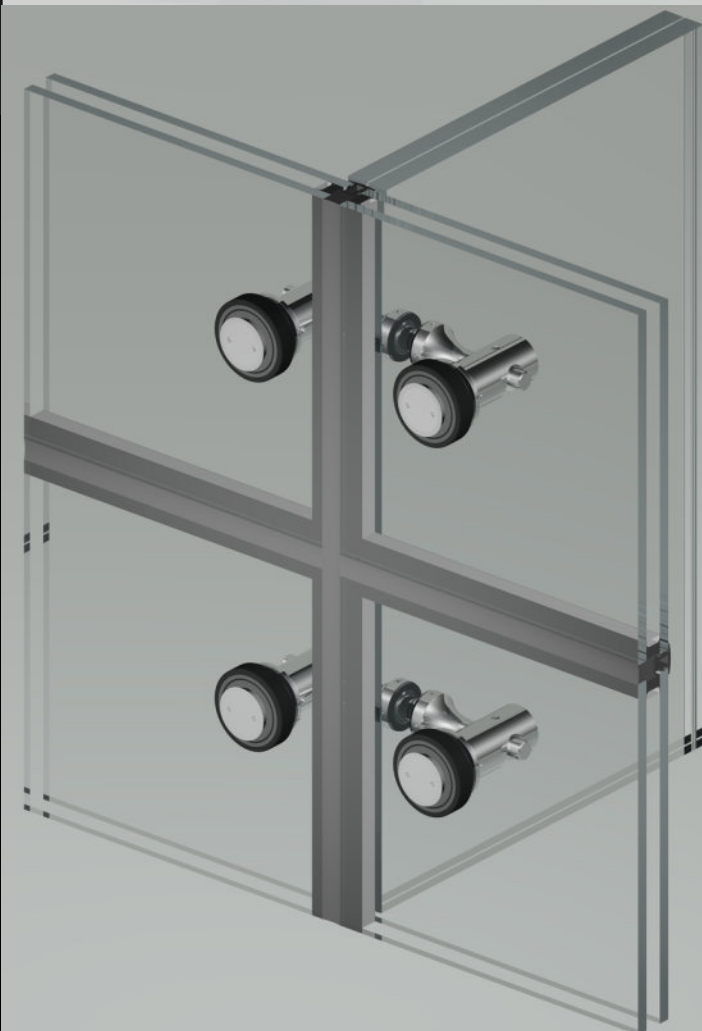
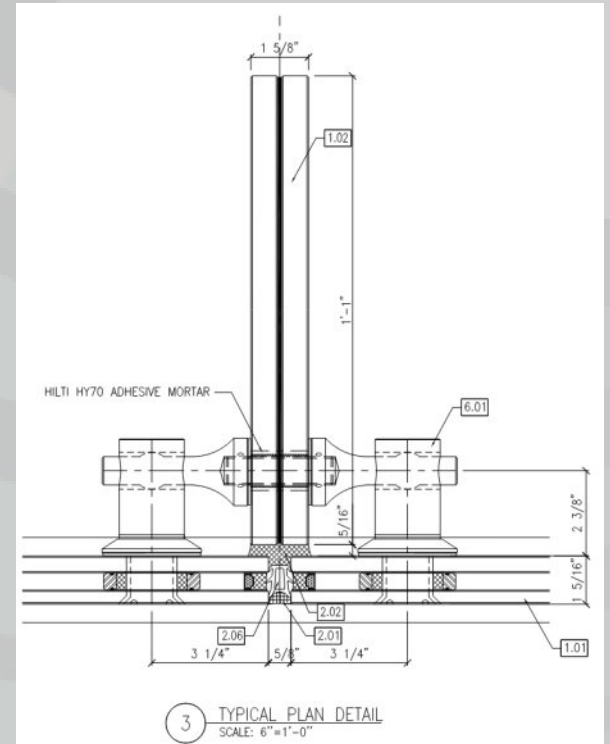
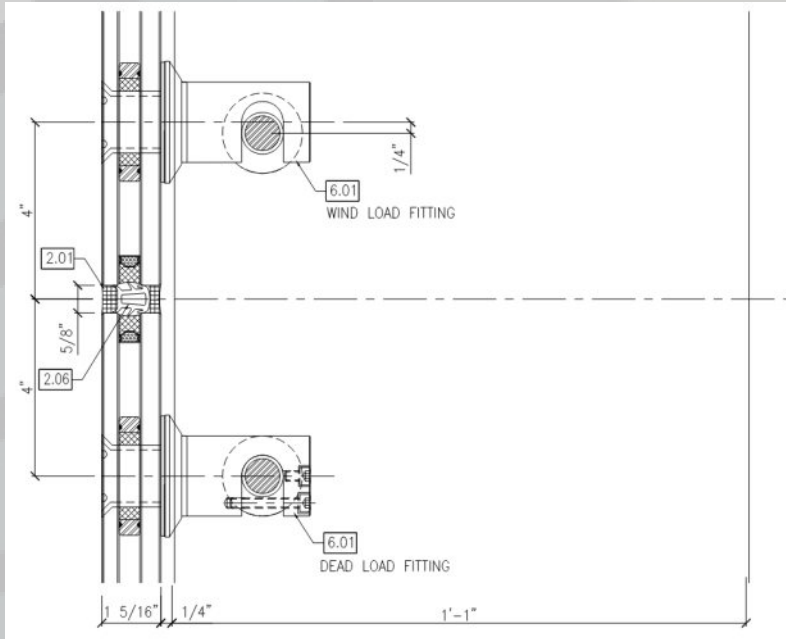
Levine Cancer Institute - Charlotte, NC:
Little Diversified Architectural Consulting
Church View W/Custom Decorative Privacy Lites

Levine Cancer Institute - Notes:

* IGUs are 3/8" Low-E + 1/2" Air + 1/2", All Clear, tempered & Heat-Soaked

* Glass Fins are Two Layers of 3/4" LI W/SGP. Fins are Full Height (22' - 6 1/2")

* Landmark's 316 SS Shank-Style Fittings



Case Study - Structural Glass Wall W/Tension Rods



UNC Rex Cardiovascular - Charlotte, NC:

WHR Architects (Now Page/EYP)

Client: Holston Glass Co.



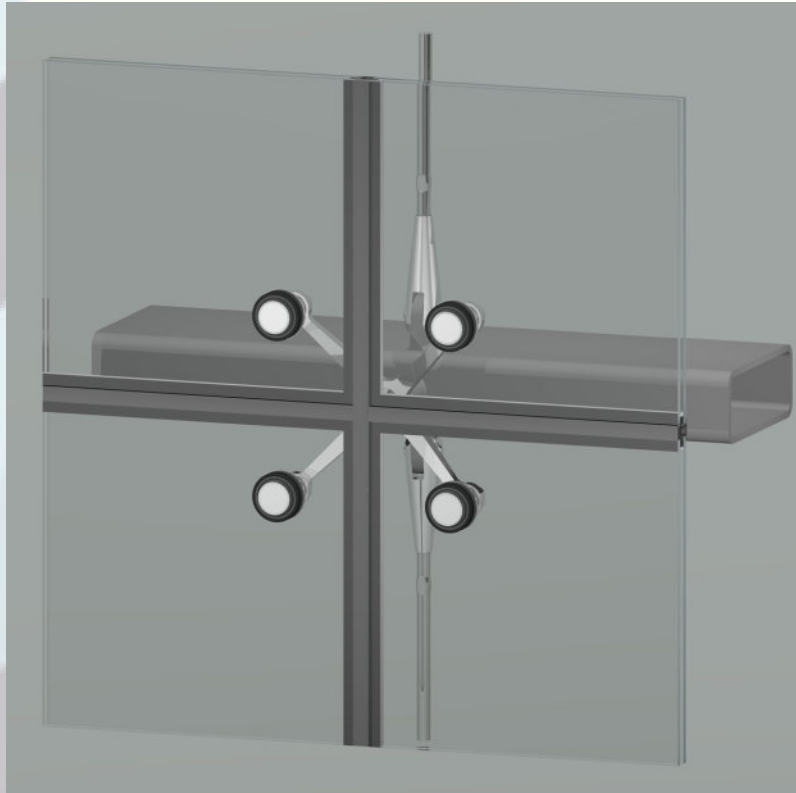
UNC Rex Cardiovascular - Charlotte, NC:
WHR Architects (Now Page/EYP)
Exterior View



UNC Rex Cardiovascular - Charlotte, NC:
WHR Architects (Now Page/EYP)
Interior View

UNC Rex Cardiovascular - Notes:

- * Painted Steel Beams Were Provided By Landmark.
- * Landmark's 316 SS Tension Rods are Attached to Top/Bottom of Steel Beams.
- * Landmark's 316 SS Heavy Duty Spider Fittings.



Asheville Art Museum - Asheville, NC:

ARCA Design

Client: Blue Ridge Glass



One Post Street - San Francisco, CA:

Morrison Dilworth + Walls

Client: ACR Glazing Contractors, Inc.



OnePost

PROJECT REFERENCES

Juba Aluminum Products Co.

Contact: Jimmy Evans	Phone: 704-787-2632
<u>Project</u>	<u>Product / System Type</u>
Norfolk Hilton The Main - Norfolk, VA	Structural Glass Wall & Canopy

Oldcastle BuildingEnvelope (OBE)

Contact: Mike Lowe (Operations Manager)	Phone: 214-641-7311
<u>Project</u>	<u>Product / System Type</u>
UCI Center for Advanced Care - Irvine, CA	Perforated Fins (Sunshades)

R.A. KENNEDY & SONS, INC.

Contact: Tom Kennedy (Principal)	Phone: 610-471-1500
<u>Project</u>	<u>Product / System Type</u>
J&J History Museum - New Brunswick, NJ	Structural Glass Wall
Bryn Mawr College - Bryn Mawr, PA	Point Supported Canopy
Lankenau Hospital - Wynnewood, PA	Point Supported Canopy & Windscreen
1201 Normandy Garage (Ongoing) - Philadelphia, PA	Garage Scrim / Screen System
Albert Einstein Healthcare - Philadelphia, PA	Curtainwall Engineering & Shop drawings Services
Campbell's Soup HQ - Camden, NJ	Structural Glass Wall & Roof Glass

ACR Glazing Contractors INC.

Contact: ChooWang Chia (Principal)	Phone: 925-321-5573
<u>Project</u>	<u>Product / System Type</u>
One Post Street - San Francisco, CA	Custom High Span Toggle Aluminum CW
B.A.R.T Station Civic Center - San Francisco, CA	Structural Glass Walls & Floors
B.A.R.T Station 19th ST - Oakland, CA	Glass Floors
B.A.R.T Station Powell Street - San Francisco, CA	Wind Screens
B.A.R.T Station Downtown - Berkeley, CA	Structural Glass Canopy, Glass Floors & Windscreens
Evergreen Valley College SSC - San Jose, CA (Ongoing)	Railings & All Glass Entrances

PROJECT REFERENCES

(CONTINUED)

<u>Glass & Metals INC.</u>	
Contact: Jack Penalver & Fred Glick	Phone: 540-434-8820
<u>Project</u>	<u>Product / System Type</u>
Inova Schar Cancer - Fairfax, VA	Structural Glass Wall, Dichroic Glass & Canopy
Greater Baltimore Medical Center (Ongoing)	Point Supported Canopy
<u>Holston Glass Company INC.</u>	
Contact: Tim Worley & Randy Bishop	Phone: 336-669-1173
<u>Project</u>	<u>Product / System Type</u>
Levine Cancer Institute - Charlotte, NC	Structural Glass Wall & Canopy
Joint Healthcare Education Center - Hendersonville, NC	Point Supported Canopies & Feature Wall
Eastman Chemical CBC HQ - Kingsport, TN	Point Supported Canopies & Feature Wall
Forsyth Medical Ctr - Winston-Salem, NC (Ongoing)	Point Supported Canopies
UNC REX Cardiovascular - Raleigh, NC	Structural Glass Wall (Suspended Girt)

USA COMPLETED PROJECT LIST (PARTIAL)

Project Name	Product / System Type	Address
Johnson & Johnson History Museum	Structural Glass Wall	501 George St, New Brunswick, NJ 08901
Aqueduct Racetrack MTA Stop	Elevator Enclosure	Queens, NY 11417
1271 AOA MTA	Custom Glass Cladding	1271 6th Ave, New York, NY 10020
860 UN Plaza	Point Supported Canopy	860 United Nations Plaza, New York, NY 10017
Hotel Hayden	Point Supported Canopy	27 W 28th St, New York, NY 10001
Facebook PNB3-4 Data Center	Windscreens	12410 HWY 50, Springfield, NE 68059
MIT Kendall Square	Structural Glass Wall	314 Main St, Cambridge, MA 02142
The Chestnut Apartments	Windscreens	3720 Chestnut St, Philadelphia, PA 19104
Eastman Chemical CBC	Windscreen, Canopy & Feature Wall	100 Eastman Road Kingsport, Tennessee 37660
Vassar Brother Medical Center	Point Supported Canopy	45 Reade Pl, Poughkeepsie, NY 12601
Thermo Fisher HQ	Point Supported Railings	168 3rd Avenue, Waltham, MA 02451
VA-DoD Outpatient Clinic	Custom SS Railings	201 9th St, Marina, CA 93933
Monsanto (Bayer) Technologies Bldg	Custom SS Railings & Structural Glass Walls	700 W Chesterfield Pkwy W, Chesterfield, MO 63017
Washington University Olin School of Business	Curved Glass Railing	Brookings, 1 Snow Way Dr, St. Louis, MO 63130
Pechanga Resort & Casino	Structural Glass Wall & Skylight	45000 Pechanga Pkwy, Temecula, CA 92592
Johns Hopkins University School of Nursing	Double Skin Curtainwall	525 N Wolfe St, Baltimore, MD 21205
California State Teachers' Retirement System	Point Supported Railings	100 Waterfront Pl, West Sacramento, CA 95605
The Offices At Downtown Columbia	Structural Glass Wall	6100 Merriweather Drive Columbia, MD
Bay Area Rapid Transit Powell	Point Supported Glass Walls & Glass Floors	San Francisco, CA
Bay Area Rapid Transit 19th Oakland	Point Supported Glass Walls & Glass Floors	San Francisco, CA
Bay Area Rapid Transit Civic Center	Point Supported Glass Walls & Glass Floors	San Francisco, CA
Bay Area Rapid Transit Downtown Berkeley	Point Supported Glass Walls & Glass Floors	San Francisco, CA
2311 Wilson Blvd	Structural Glass Cable Wall	2311 Wilson Blvd, Arlington, VA 22201
2050 M ST	Structural Glass Wall	2050 M ST NW, Washington DC, 20036
Anthem Row	Structural Glass Wall	800 K ST NW, Washington DC, 20001
Watermark at Buzzard Point	Point Supported Canopy	1900 Half St SW Washington, DC 20024
WETA Richmond Ferry Terminal	Structural Glass Wall	1453 Harbour Way S, Richmond, CA 94804
Asheville Art Museum	Structural Glass Wall & Skylight	2 S Pack Square, Asheville, NC 28801
Talking Stick Resort & Casino	Structural Glass Wall	9800 E Talking Stick Way, Scottsdale, AZ 85256
University of Southern California Heritage Hall	Structural Glass Wall	3501 Watt Way, Los Angeles, CA 90089
Foxwoods Resort & Casino	Structural Glass Wall	350 Trolley Line Blvd, Ledyard, CT 06338
Blue Ridge Community College (JHEC)	Structural Glass Wall, Canopy & Feature Wall	805 6th Ave W, Hendersonville, NC 28739
Inova Schar Cancer Institute	Structural Glass Wall & Canopy	8081 Innovation Park Dr, Fairfax, VA 22031
Verzion Flagship Store	Structural Glass Wall	840 N Michigan Ave, Chicago, IL 60611
Chevron Midcontinent Headquarters Campus	Cantilevered Glass Wall & Point Supported Canopy	6301 Deauville Blvd, Midland, TX 79706
Local 597 Pipefitter's Training & Wellness Center	Point Supported Canopy	45 N Ogden Ave, Chicago, IL 60607

Project Name	Product / System Type	Address
Aramco Oil Research Center	Structural Glass Cable Wall, Canopy & Custom Railing	16300 Park Row, Houston, TX 77084
1101 South Wabash	Point Suported Canopy	1101 S Wabash Ave Chicago, IL 60605
Hilton Washington DC National Mall The Wharf	Point Suported Canopy	480 L'Enfant Plaza SW, Washington, DC 20024
Norfolk Hilton The Main	Structural Glass Wall & Skylight	100 E Main St, Norfolk, VA 23510
Dolph Briscoe Center for American History	Custom Glass Cladding	2300 Red River St, Austin, TX 78712
Women's Healthcare Building	Point Suported Canopy	3440 R.C. Luttrell Dr, Suite 200, Norman, OK 73072
JW Marriot	Structural Glass Wall	110 E 2nd St, Austin, TX 78701
Coorstek Center For Applied Science & Engineering	jumbo Glass Fins	Meyer Hall, 1523 Illinois St, Golden, CO 80401
California New Car Dealers Association	Railing & Glass Treads	1517 L St, Sacramento, CA 95814
Accel-KKR HQ	Structural Glass Wall, Canopy & Glass Sunshades	2180 Sand Hill Rd, Menlo Park, CA 94025
500 North Broadway	Structural Glass Wall	500 N Broadway, St. Louis, MO 63102
AC Marriott Washington DC Convention Center	Structural Glass Wall	601 K St NW, Washington, DC 20001
2727 Kirby	Structural Glass Wall	2727 KirbyDr, Houston, TX 77098
Monte de Oro Winery	Glass Floor	35820 Rancho California Rd, Temecula, CA 92591
Albert Einstein Healthcare network	Curtainwall (engineering & Shop drawings)	5501 Old York Rd, Philadelphia, PA 19141
450 w. 14th st	Curtainwall (engineering & Shop drawings)	450 W 14th St, New York, NY 10014
Hill Airforce Base	Point supported Canopy	7981 Georgia St, Hill AFB, UT 84056
IRS service Center	Interior Structural Glass Cable Wall	310 Lowell St, Andover, MA 01810
Utah Museum of Natural History	Point supported Wall	301 Wakara Way, Salt Lake City, UT 84108
Bryn Mawr College	Point Supported Canopy	101 N Merion Ave, Bryn Mawr, PA 19010
540 National Business Parkway	Point Supported Canopy	540 National Business Pkwy, Jessup, MD 20794
Houston Methodist Woodland Hospital	Interior Structural Glass Wall	17201 I-45, Shenandoah, TX 77385
Washington & Jefferson College	Interior Structural Glass Wall	60 S Lincoln St, Washington, PA 15301
Embassy Suites by Hilton Downtown Pioneer Square	Structural Glass Wall	255 S King St, Seattle, WA 98104
REX Cardiovascular UNC Healthcare	Suspended Girt System	4420 Lake Boone Trail, Raleigh, NC 27607
UMSL Optometry Clinic	Decorative Glass Fins	One University Blvd, St. Louis, MO 63121
Renaissance Hotel	Point Supported Canopy	6007 Legacy Dr, Plano, TX 75024
Hanscom Air Force Base	Point Supported Canopy	55 Grenier St, Hanscom AFB, MA 01731
Bleu Ciel	Structural Glass Wall	3130 N Harwood St, Dallas, TX 75201
Venture	Point Supported Canopy	1621 Barber Ln, Milpitas, CA 95035
Cotton O'Neil General Surgery Stormont Vail Health	Point Supported Canopy	1516 S.W. Sixth Ave, Suite 2, Topeka, KS 66606
BLT Financial Center	Point Supported Canopy	200 Elm St, Stamford, CT 06901
100 Summer	Glass Railing & Stairs	100 Summer St, Boston, MA 02110
Stifel Financial Corp	Structural Glass Walls	501 N Broadway, St. Louis, MO 63102
dōTERRA HQ	Structural Glass Walls	549 S 1300 W St #100, Pleasant Grove, UT 84062
Kennedy Kriegger Institute	Point Supported Canopy	1741 Ashland Ave, Baltimore, MD 21205